

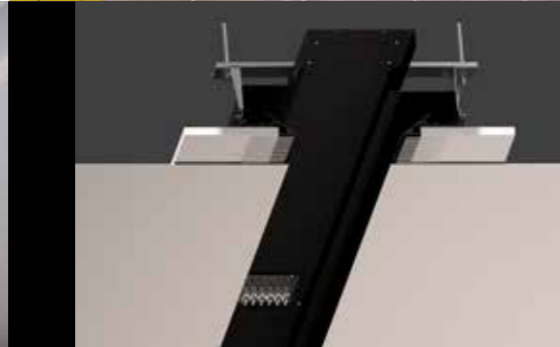
System Canal

System Canal is a linear, trimless product suitable for plasterboard ceilings. Extruded aluminium and steel components ensure a strong, straight and neat appearance that is easy to install.

System Canal offers more than one lighting solution: downlighting, accent and spotlighting and cove lighting. It can also house PIR and motion sensors, smoke detectors and sometimes sprinkler noses. Because through-wiring is feasible speakers and cameras are also a possibility.

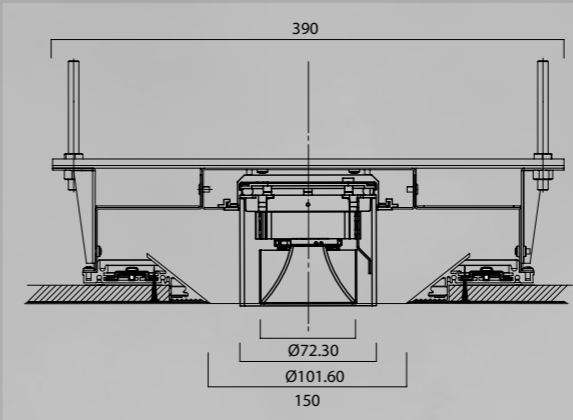


System Canal recessed linear channel with infinity edge, suitable for plasterboard ceilings. The interior channel is finished as standard in Black RAL 9005 or White RAL 9010, custom RAL finishes are also available. The system houses a variety of downlighters and accessories. Complete with remote dimmable drivers located inside the linear channel and Cable ways for through wiring.

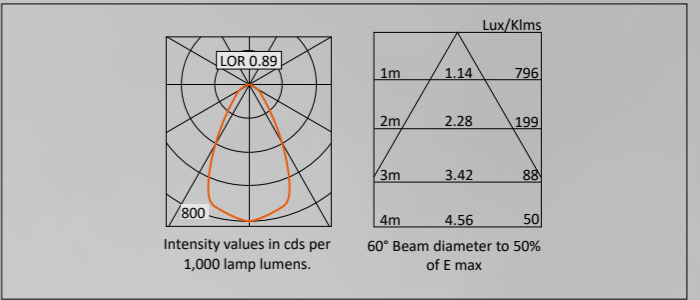
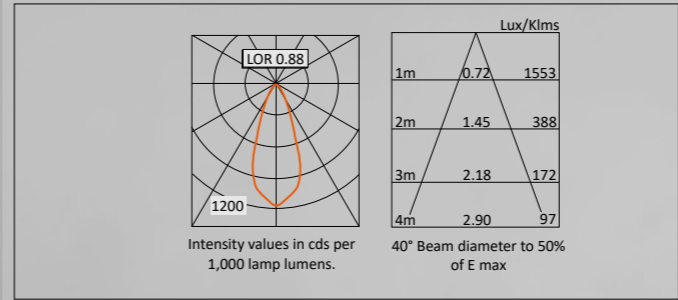
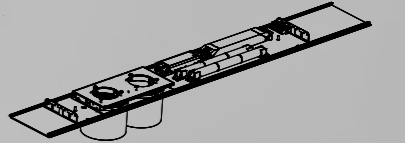
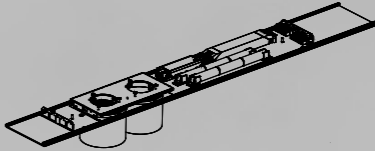


Downlighter Specification:

- Light Source: High quality Xicato 2 step MacAdam. Up to 1300 lumens, 9.5W
- Colour Rendering: Excellent Colour rendering up to 83 CRI
- Colour Temperature: Warm 2700°K, 3000°K or 4000°K available
- Longevity: 50,000 hrs L70 B0
- Reflector: Specular Silver / Satin Silver
- Construction: Aluminium / Steel / Plastic
- IP Rating: IP20 (dry interior use)
- Mounting: Surface mount in channel
- Electrical Supply: 230v 50Hz. A plug and socket is provided for the electrical connection
- Manufacture: Made in the UK
- Accessories: Empty surface housings for PIR, motion sensors, smoke detectors, sprinklers and speakers



Example Infills



- IP20
- 40° / 60°
- CRI >83
- 2700K / 3000K / 4000K
- 9.5W
- UP TO 1300 LUMENS
- DALI 1-10V LEAD / TRAIL